

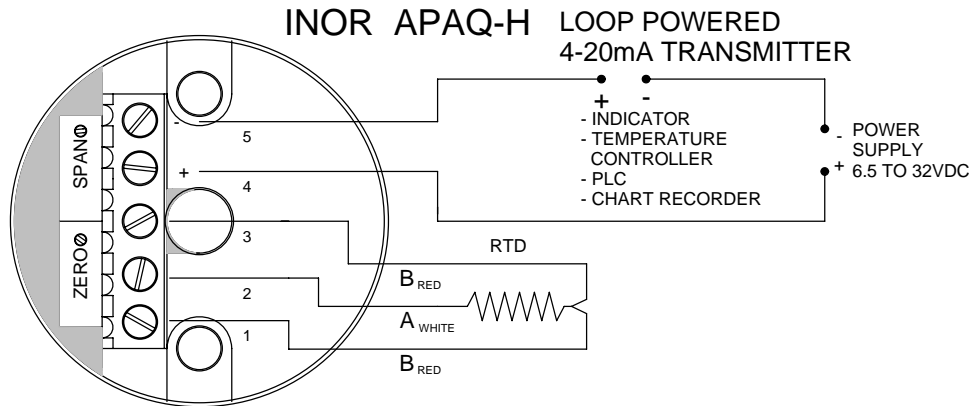
55mm deep

FIT BRASS BAR FOR TX

FIT CLASS A CHIP BULB

AIR PERFORATIONS ALLOW FAST RESPONSE TO AMBIENT TEMPERATURES

80mm x 80 mm x 55mm deep C/W LID AND GASKET



RTD PT100 AND TRANSMITTER
INDUSTRIAL AIR SENSOR ASSEMBLY IP65
4-20mA
POLYCARBONATE CASE RATED TO 125°C

TEMPERATURE CONTROLS PTY LTD

QUALITY ENDORSED COMPANY
Certificate No: QEC 14412
AS/NZS 9001:2008

CONDITIONS

THIS DRAWING IS OUR EXCLUSIVE PROPERTY AND MUST NOT BE COPIED OR HANDED TO ANY OTHER PARTIES WITH OUT WRITTEN PERMISSION. IT SHALL BE RETURNED UPON REQUEST

SYDNEY: 7 YAMMA ST SEFTON NSW 2162
PHONE: (02) 9721 8644 FAX: (02) 9738 9339
MELBOURNE: 8/280 WHITEHALL ST YARRAVILLE VIC 3013
PHONE: (03) 9687 0000 FAX: (03) 9687 1900
BRISBANE: 28A/125 KERRY RD ARCHERFIELD QLD 4108
PHONE: (07) 3373 8424 FAX: (07) 3373 8067
EMAIL: sales@temperature.com.au

TITLE

SIZE : A4	DATE : 14/01/16	DWG NO :SD 078Tx
SCALE : NTS	DRAWING BY R.B	REV : 03